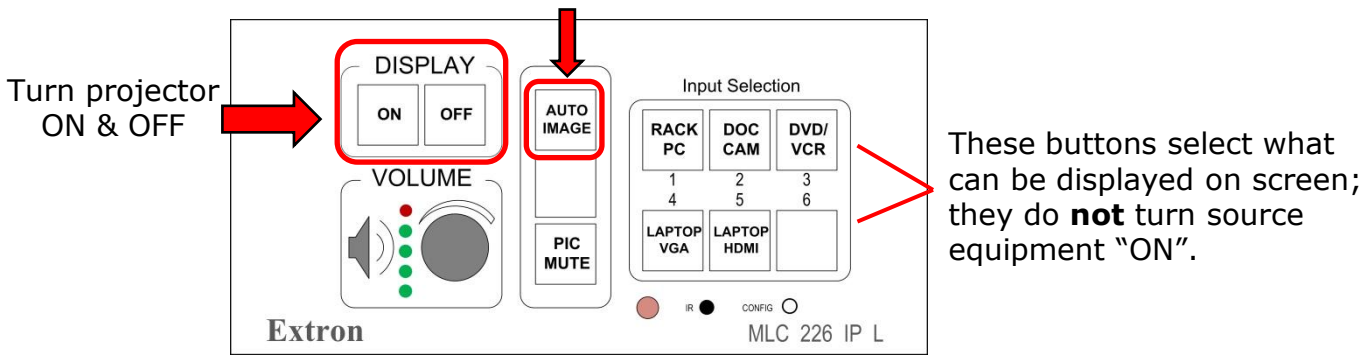


The Switcher

'Fine tune' the displayed image



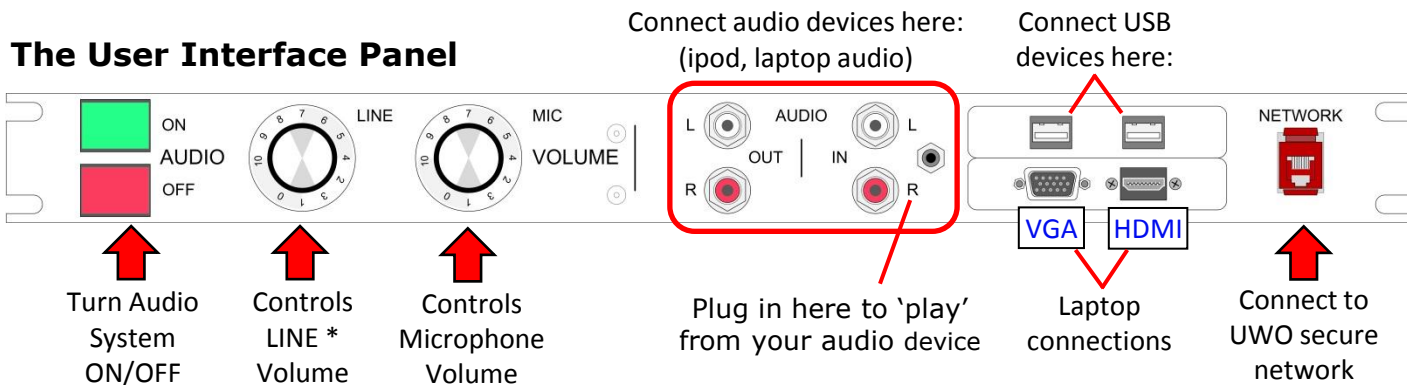
Using the projector

1. Press the "ON" button on the Switcher.
2. Press the "INPUT SELECTION" button that corresponds with the video source (Rack PC, DVD/VCR, or laptop) that you want to use.
3. When you are finished press the "OFF" button on the Switcher.

Connecting your laptop

1. Plug the VGA cable (located in one of the two drawers) into the LAPTOP port on the User Interface Panel as shown.
2. Turn on, and boot up your Laptop.
3. On the Switcher, press whichever "LAPTOP" button applies (VGA, or HDMI)

The User Interface Panel

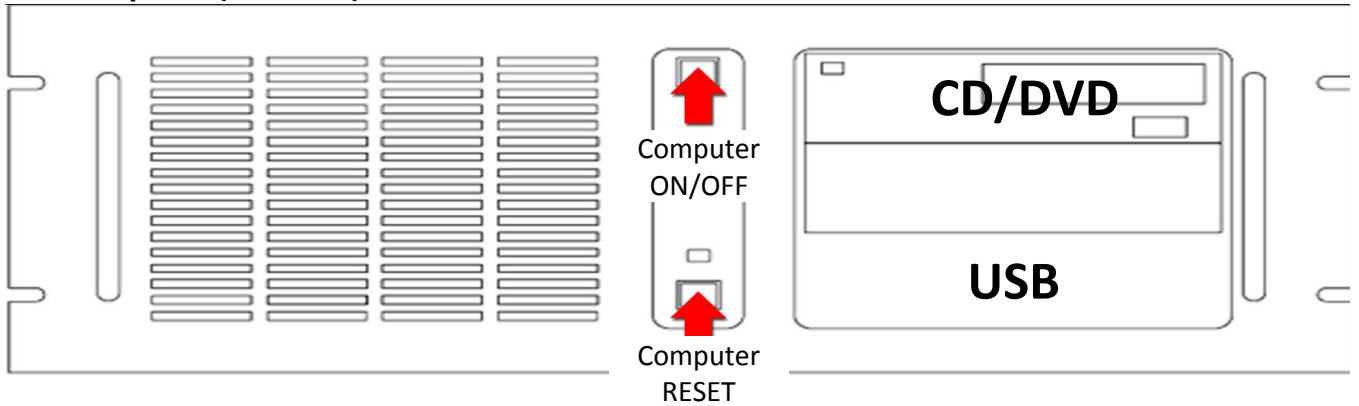


Using the audio system

1. Press the GREEN "ON" button on the User Interface Panel.
2. Adjust the volume of the computer and DVD/VCR using the LINE VOLUME knob; the microphone audio is adjusted with the MIC VOLUME knob.
3. When you are finished press the RED "OFF" button to turn the audio system off.

*LINE audio is any sound from the DVD/VCR, Computer, Laptop, or audio device connected to the AUDIO inputs of the audio panel. The LINE Volume control *does not* affect system microphone levels.

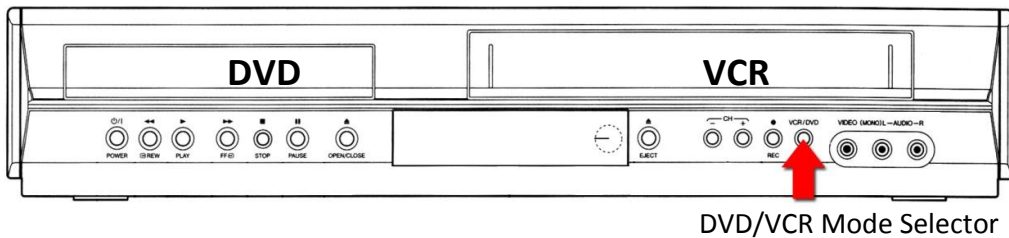
The Computer (RACK PC)



Using the computer

1. Turn on the projector(s) and the audio system.
2. Turn on the computer using its "ON/OFF" button.
3. Press the button labeled "Rack PC" on the Switcher.
4. The wireless pointer will be in the rack drawer of the a/v cabinet.
5. When you are finished turn off the computer, projector(s), and audio system.

VCR/DVD



Showing a video tape or DVD...

1. Turn on the projector(s) and the audio system.
2. Press the "POWER" button to turn on the DVD/VCR.
3. Press the button labeled "DVD/VCR" on the Switcher.
4. Press the DVD/VCR mode selector button on the player to select VCR or DVD.
5. Insert your Tape or DVD and press play.
6. For extended DVD/VCR functions, there is a remote control stored in the rack drawer of the a/v cabinet.

Please turn off the AV equipment when your class is over.