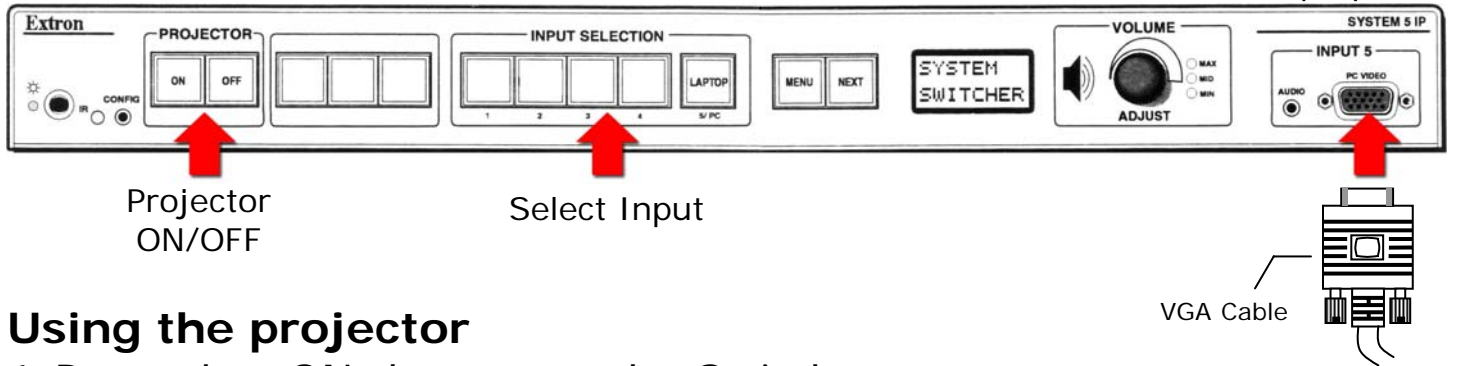


The Switcher



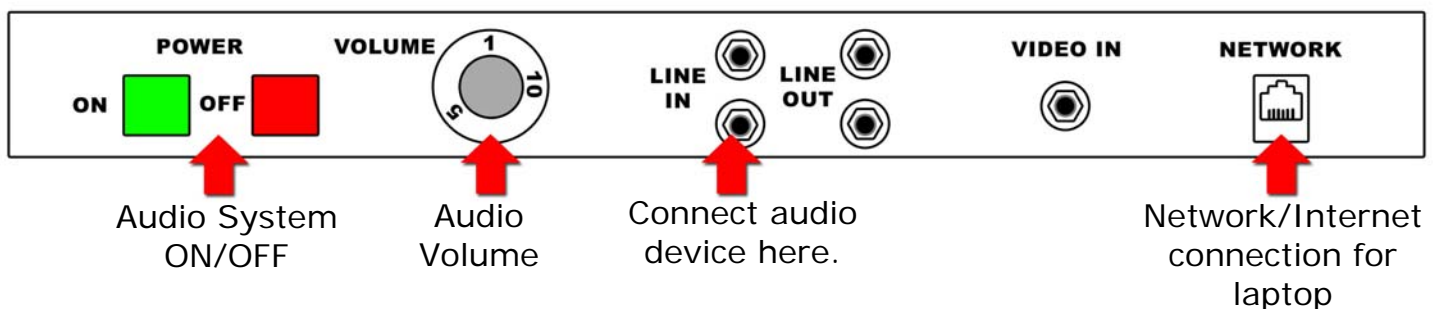
Using the projector

1. Press the "ON" button on the Switcher.
2. Press the "INPUT SELECTION" button that corresponds with the video device (VCR/DVD, Computer, or laptop) that you want to use.
3. When you are finished press the "OFF" button on the Switcher.

Connecting your laptop

1. Turn on the projector.
2. Plug the VGA cable (located in one of the drawers) into the Switcher as shown above.
3. Press the button labeled "LAPTOP" on the Switcher.
4. If an internet connection is required plug the network cable into the jack labeled "NETWORK" and the other end into your laptop's network port OR use the wireless network.

The Audio Panel

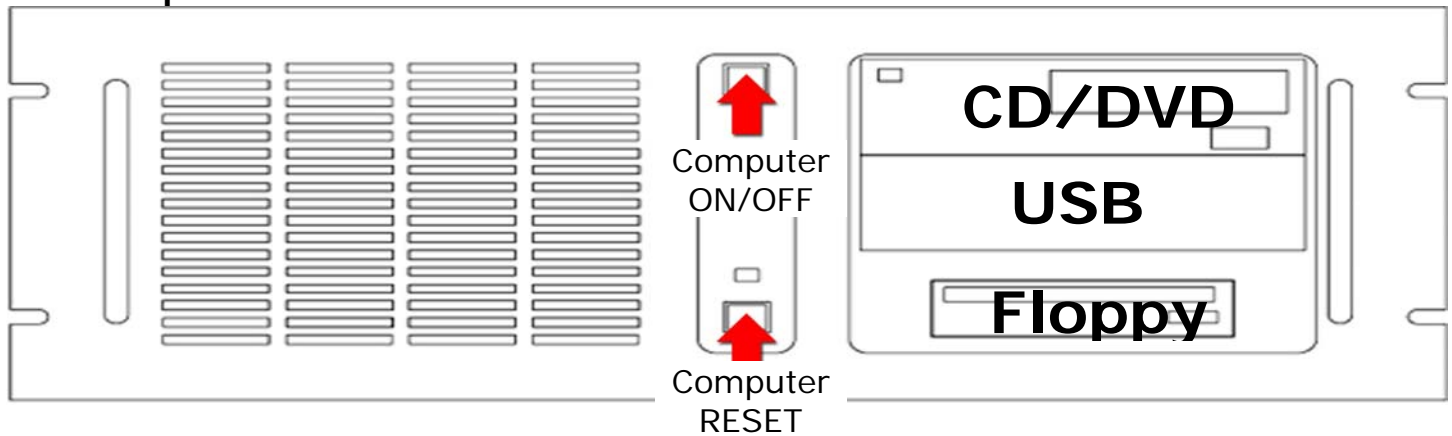


Using the audio system

1. Press the GREEN "ON" button on the audio panel.
2. Adjust the volume using the volume knob.
3. When you are finished press the RED "OFF" button to turn the audio system off.

Note: The wireless microphone will be in the one of the drawers in the cabinet. Make sure to check both drawers. Not all rooms are equipped with a wireless microphone.

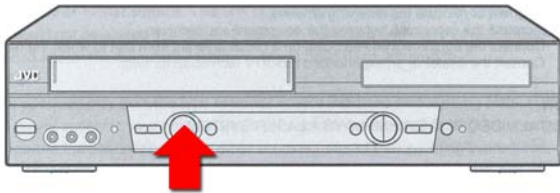
The Computer



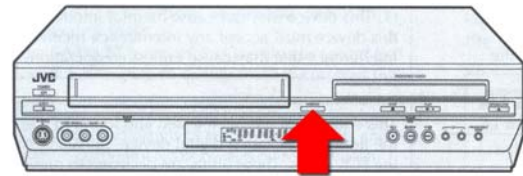
Using the computer

1. Turn on the projector and the audio system.
2. Turn on the computer using the "ON/OFF" button.
3. Press the button labeled "Rack PC" on the Switcher.
4. The keyboard, mouse and wireless pointer will be in one of the drawers in the cabinet. Make sure to check both drawers.
5. When you are finished turn off the computer, switcher, and audio system.

VCR/DVD



VCR/DVD Mode Selector



VCR/DVD Mode Selector

Showing a video tape or DVD...

1. Turn on the projector and the audio system.
2. Press the "POWER" button to turn on the DVD/VCR.
3. Press the button labeled "DVD/VCR" on the Switcher.
4. Press the VCR/DVD mode selector button on the player to select VCR or DVD. A green light near the tape input / DVD tray will indicate which side is selected.
5. Insert your Tape or DVD and press play.
6. There is a remote control in one of the drawers for additional VCR/DVD control and functions.

Please turn off the AV equipment when your class is over.